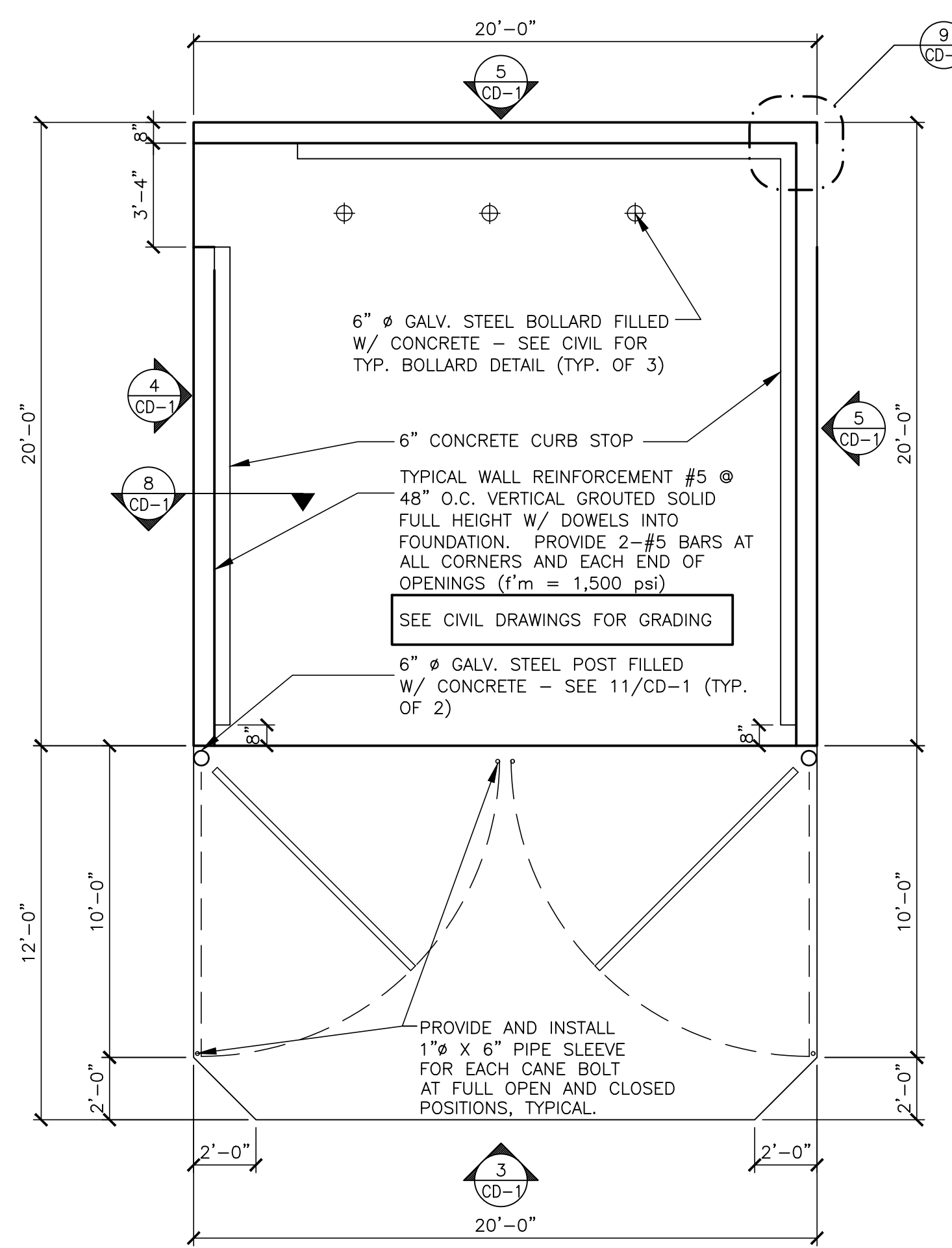
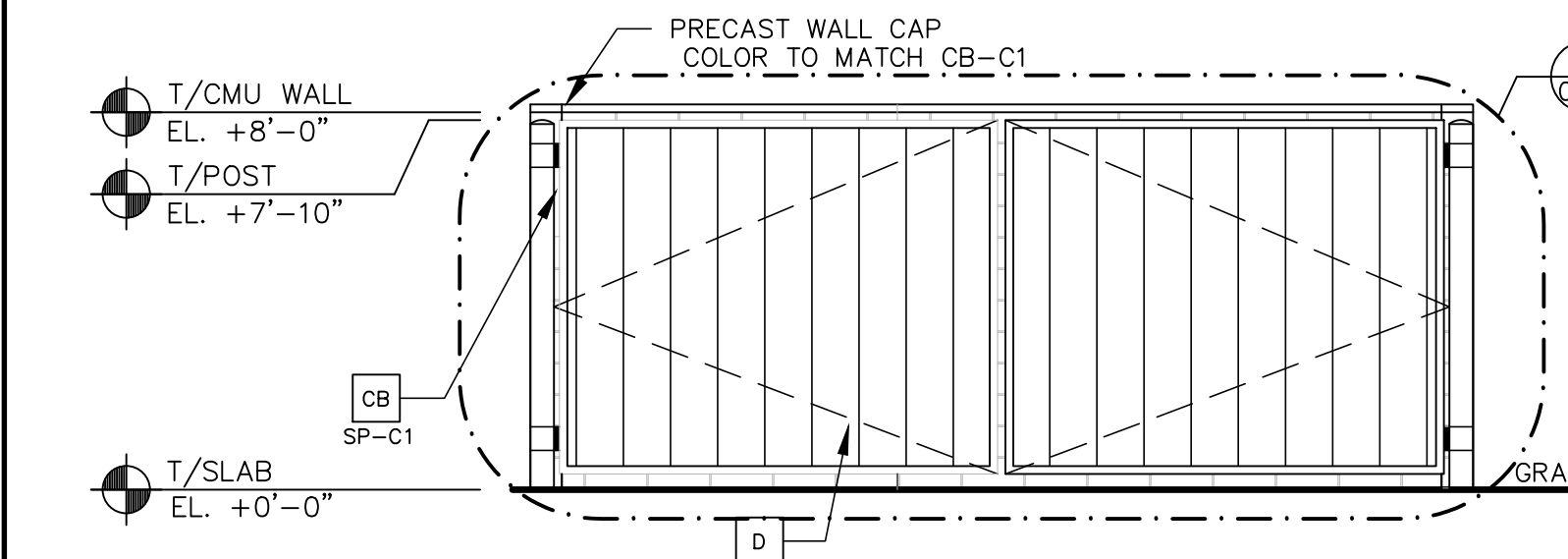


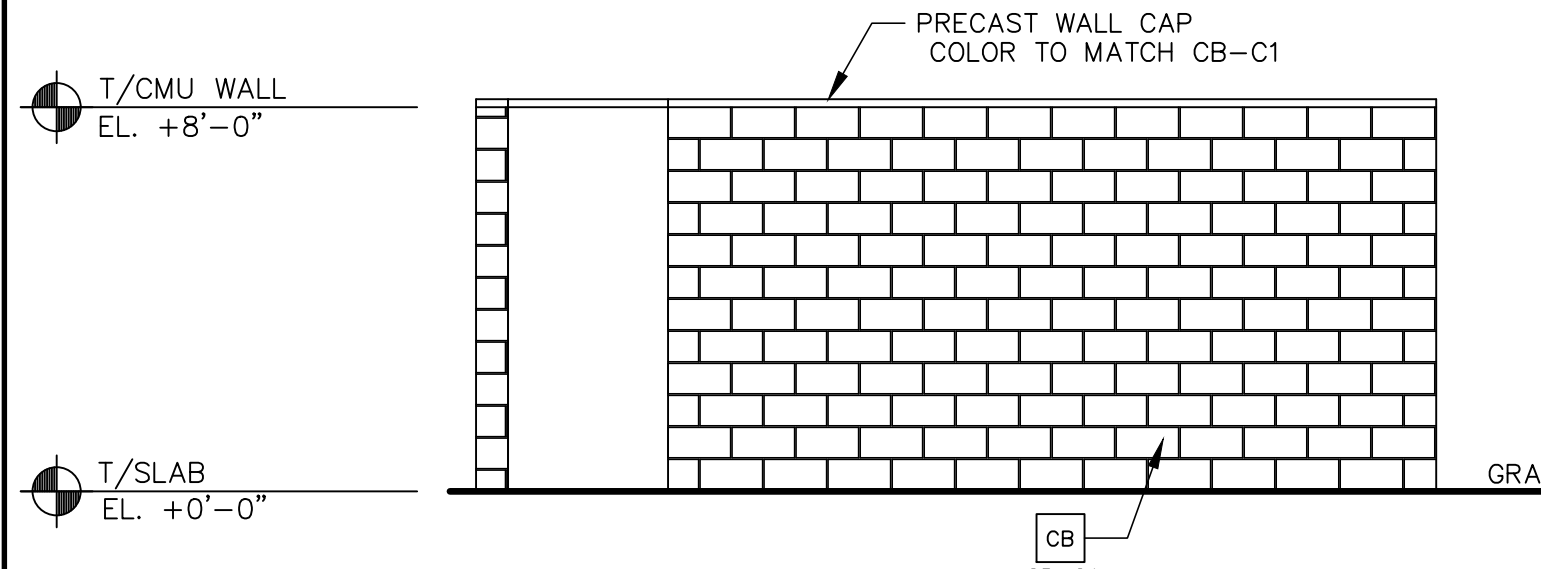
1 FOUNDATION PLAN  
CD-1 1/4"=1'-0"



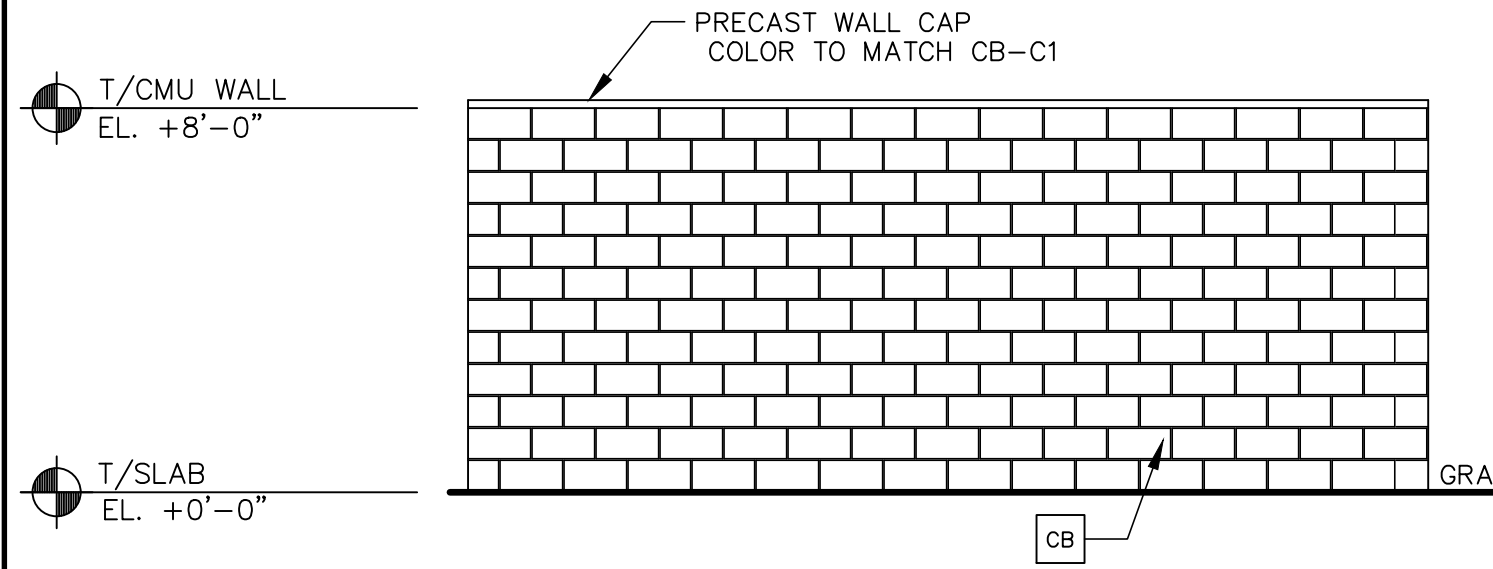
2 FLOOR PLAN  
CD-1 1/4"=1'-0"



3 ELEVATION  
CD-1 1/4"=1'-0"

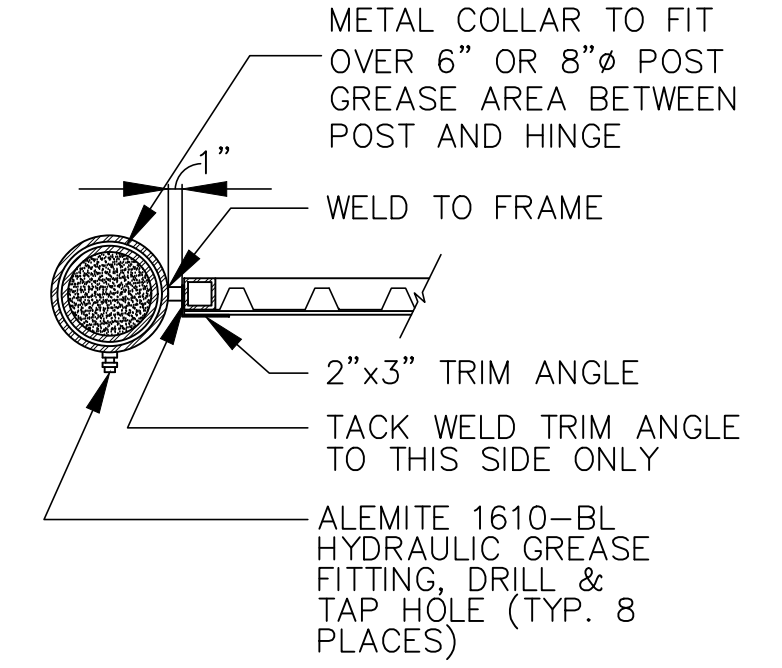


4 ELEVATION  
CD-1 1/4"=1'-0"

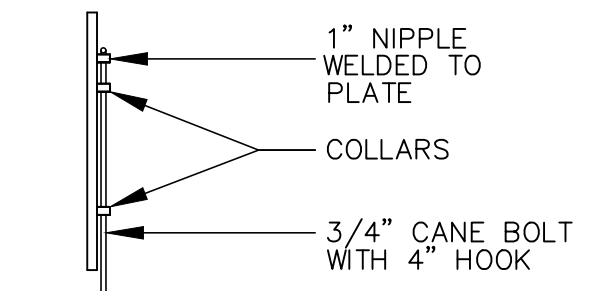


5 ELEVATION  
CD-1 1/4"=1'-0"

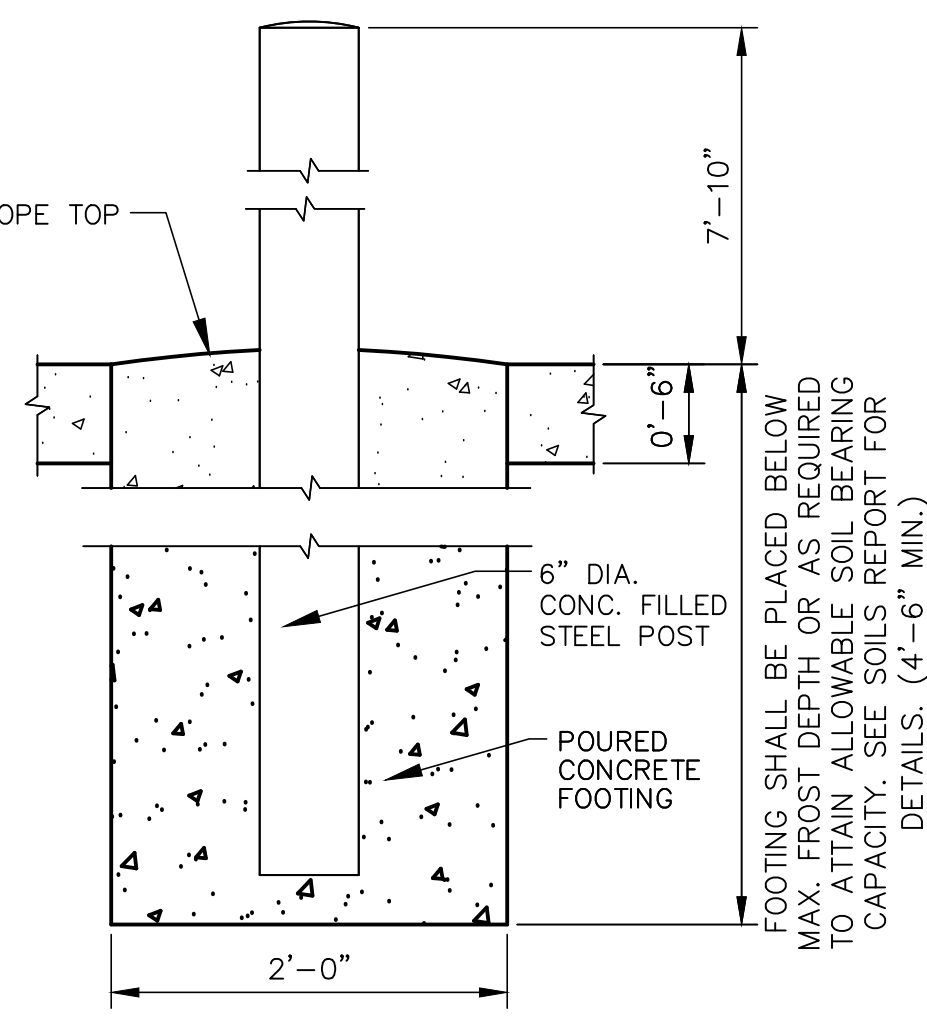
- KEY NOTES:**
- CB CONCRETE BLOCK
  - SP-C1—COLOR: C1 = STANDARD CONCRETE BLOCK TYPE: SP = SPLIT FACE
  - D HOLLOW METAL DOOR - PAINT TO MATCH BLOCK



6 HINGE DETAILS  
CD-1 N.T.S.

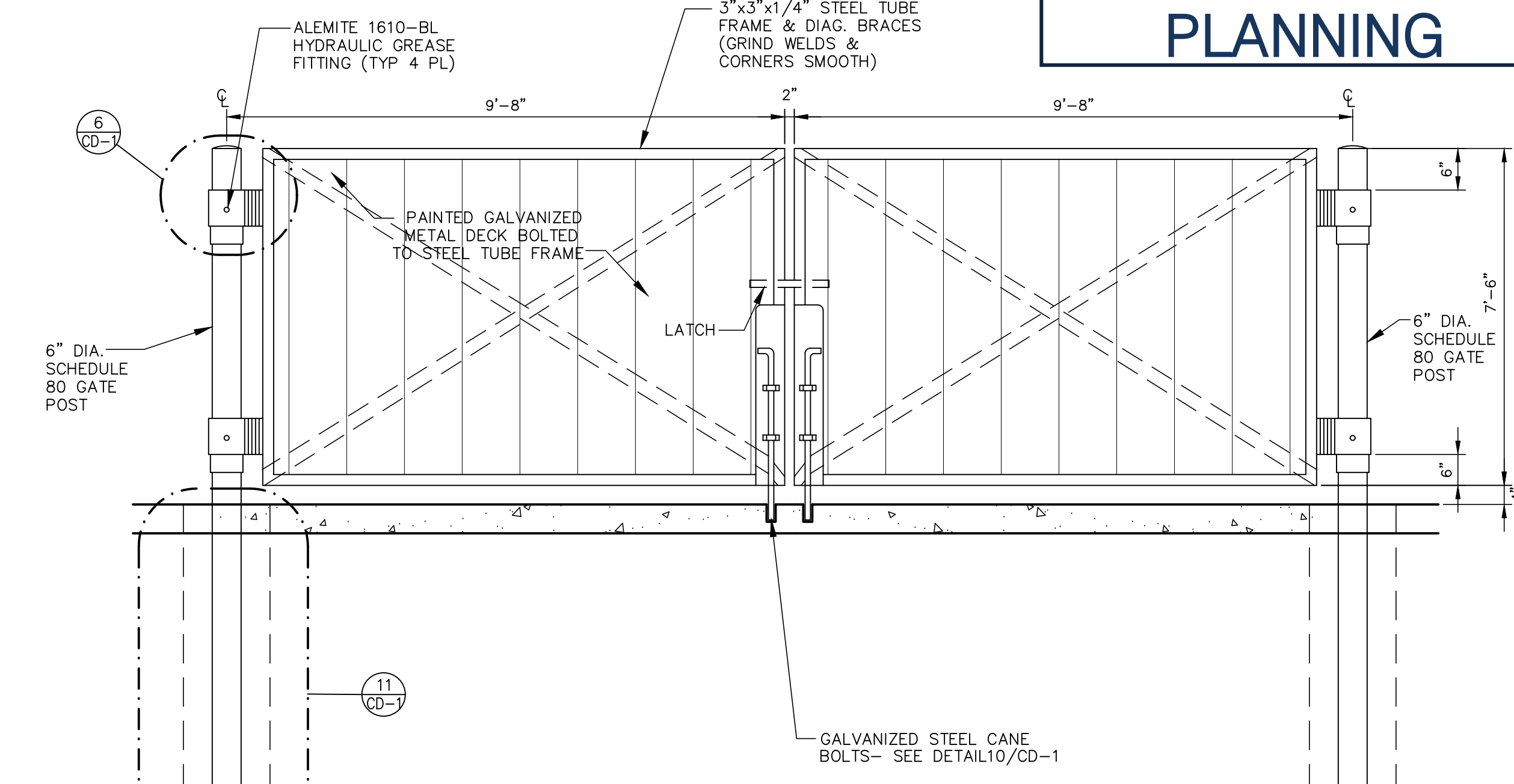


10 CANE BOLT DETAILS  
CD-1 N.T.S.

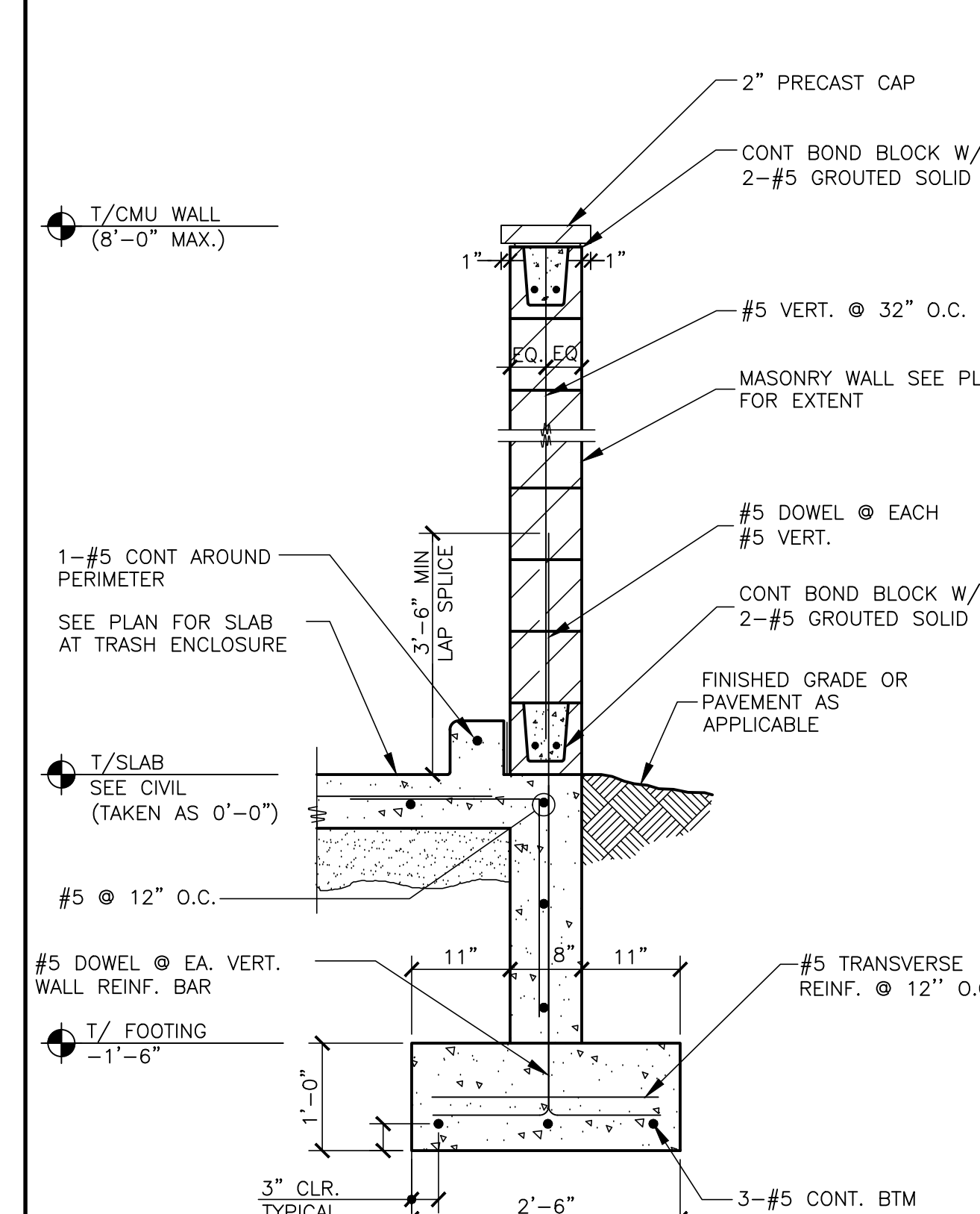


11 TYP. GATE POST DETAIL  
CD-1 N.T.S.

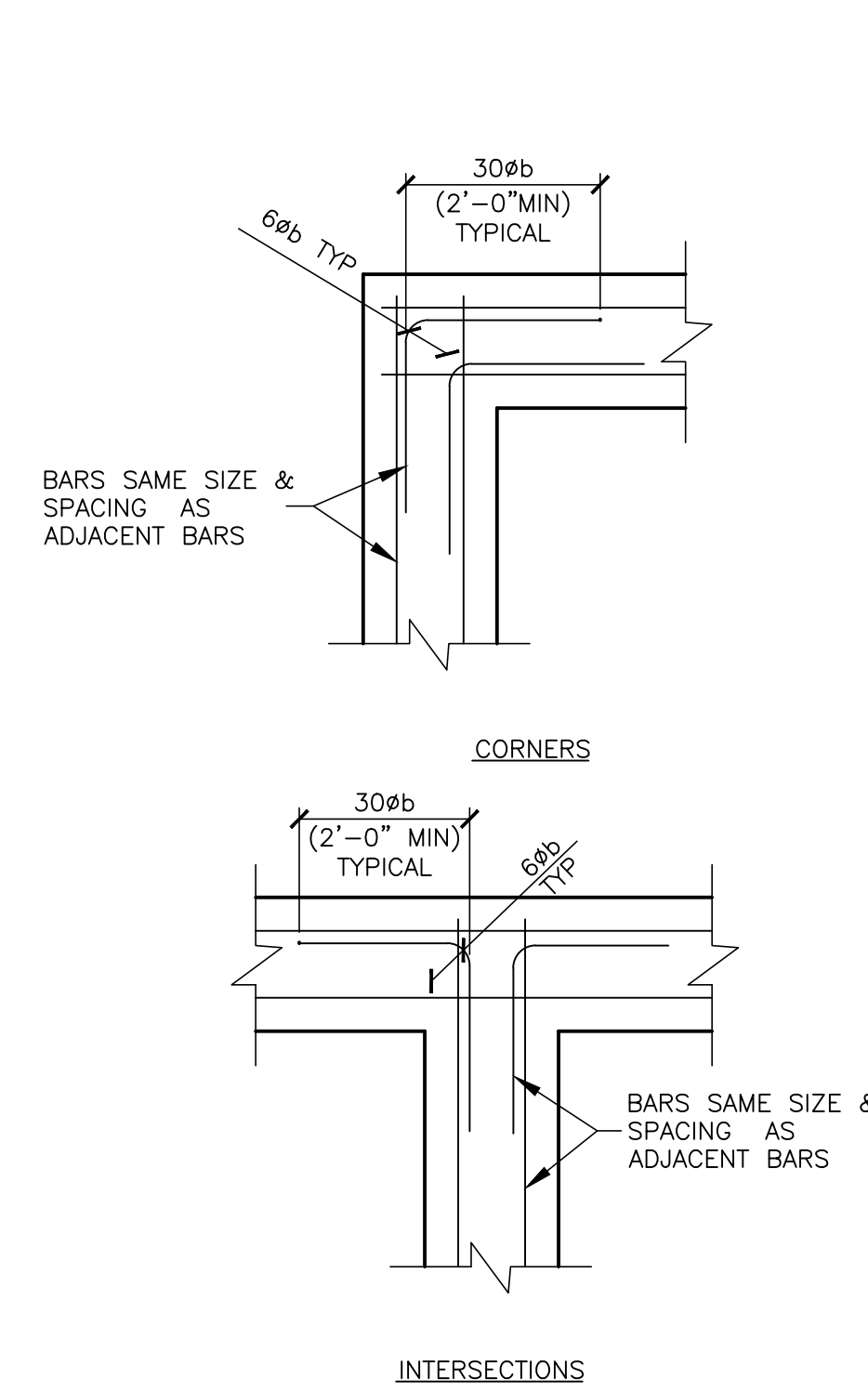
- NOTE:  
1. SEE SITE PLAN FOR LOCATION.  
2. SEE S4.0 FOR STRUCTURAL GENERAL NOTES.



7 TYPICAL GATE DETAIL  
CD-1 N.T.S.



8 SECTION  
CD-1 3/4" = 1'-0"



9 CORNER BAR DETAIL  
CD-1 N.T.S.

BY:	
DATE:	
REV:	
DESCRIPTION:	
<b>CORE STATES GROUP</b> 4240 E. Juniper Street, Suite 402 Ontario, CA 91764-8907 Fax: (951) 467-8917	
PREPARED BY:	McDonald's USA, LLC
PREPARED FOR:	McDonald's USA, LLC
DRAWN BY:	JC
STD. ISSUE DATE:	2017-10
REVIEWED BY:	JP
DATE ISSUED:	12/28/2017
C.S.G. PROJECT #:	MCD.23683
TITLE:	2014 STANDARD BUILDING
DESCRIPTION:	4587PPP - WOOD/WOOD
WOOD BEARING WALLS W/ HARDIPLANK EXTERIOR FINISH	
WOOD ROOF TRUSS FRAMING	
LEDGESTONE EXTERIOR FINISH ARCADE/ENTRY	
SITE ADDRESS:	SNOWHISH, WA
046-0112	917 AVENUE D
SHEET NO.:	46-0112.00.0
CD-1	PLANS & SECTIONS